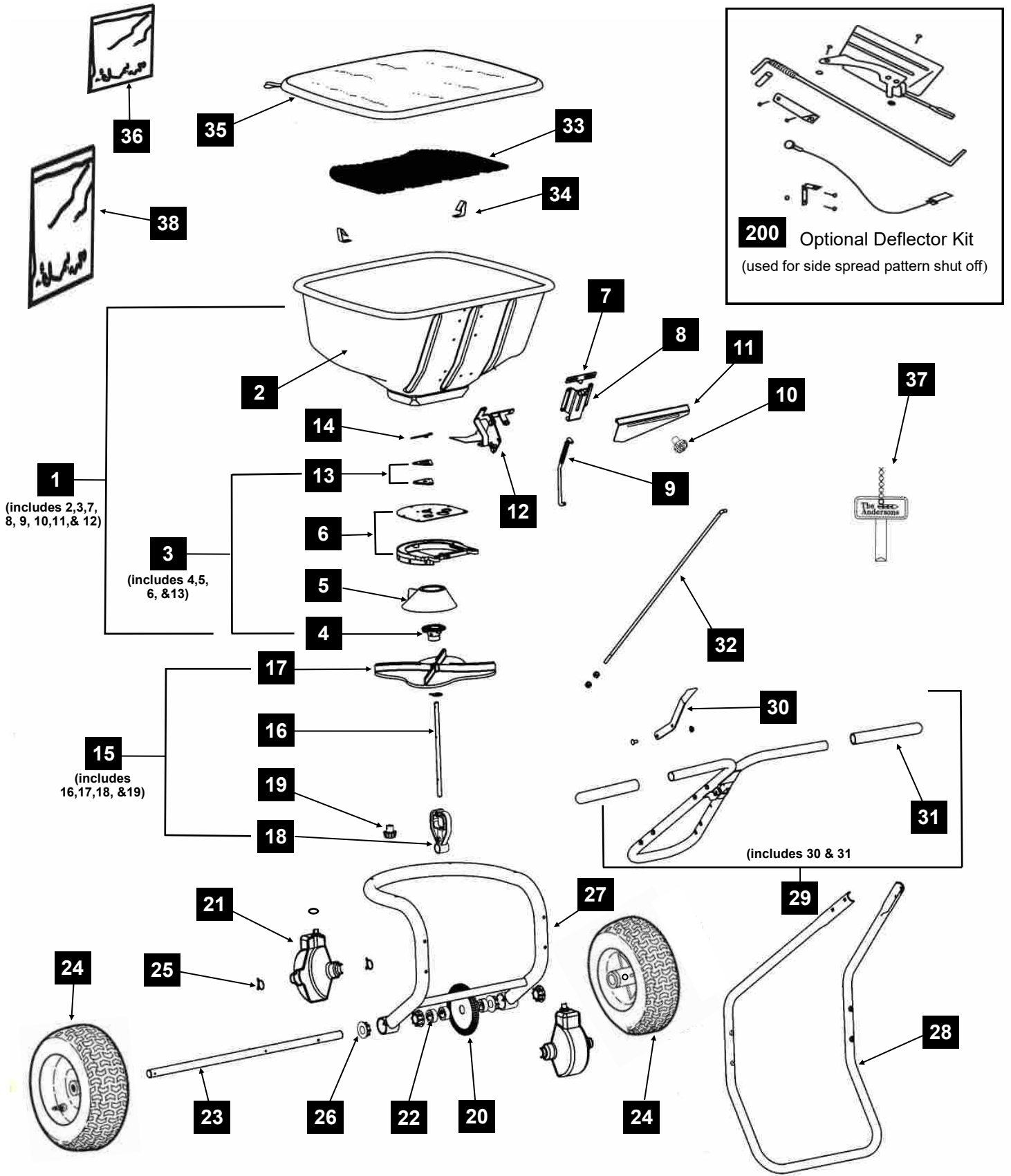


Parts Diagram-Model 2000



Ordering Parts

See diagram for assistance in identifying specific parts.

For parts orders, call 1-800-294-0671. (Note: Sales of parts for the Andersons spreaders are handled by EarthWay.)
IMPORTANT: When ordering replacement parts, always provide the following information:

- 1) Part number (DO NOT use key numbers when ordering parts. ALWAYS use part numbers.)
- 2) Part description
- 3) The Andersons Model 2000 (product code ASP8099)

KEY	PART DESCRIPTION	PART
1	Hopper Assembly	791035
2	*Hopper	790115
3	*Helical Cone Assembly	780945
4	*Helical Cone Retainer/Bearing Shield	792001
5	*Helical Cone	780941
6	*Shutoff Plate Retainer/Shutoff Plate Base	792002
7	*Pointer	790342
8	*Rate Control Housing	700321
9	*Rate Control Rod Assembly	790395
10	*Rate Control Knob/Washer	792003
11	*Rate Control Plate	790330
12	*Pivot Lever/Main Shutoff Plate Assembly	790266-1
13	*Agitator-Retainer & Felt Seal	792004
14	Agitator Pin	780100
15	Rotor and Gear Carrier Assembly	780195
16	Rotor Shaft	790020
17	Rotor Plate	780191
18	Gear Carrier-Complete	780155
19	Pinion Gear	780122
20	Ring Gear	780121
21	Gearbox Cover Half (set of 2)	780110
22	Axle Collar (each)	780200
23	Axle	790015
24	Drive Wheel & Idler Wheel	790120
25	Retainer Clips-Gear Cover (set of 3)	780180
26	Axle Bearing (set of 4)	790151
27	Frame Assembly (includes #26)	790045
28	Rest	790061
29	Handle Assembly (includes #30 & #31)	790075
30	Main Shutoff Lever	790215
31	Hand Grips (set of 2)	1000061
32	Main Shutoff Rod	790250
33	Hopper Screen	790141
34	Hopper Screen Clip (set of 2)	780440
35	Hopper Cover	790161
36	Fastener Package	790905
37	Calibration Key (see calibration instructions)	15740
38	Accessory Parts Package	15585
200	Complete Deflector Kit (optional)	1000070

All parts and subassembly kits includes necessary fasteners and assembly instructions. * Indicates parts in Hopper Assembly



**For More
Information
Call . . .**

1-800-225-2639
(U.S. Only)

The Andersons' toll-free
Helpline. This helpline is
provided to give you more
information about
Andersons Turf Products.

.....



**Or Visit Our
Website At ...**
www.andersonsturf.com

The Andersons, Inc.
521 Illinois Ave
Maumee, OH 43537 USA

Warranty

The Andersons warrants to Purchaser the following:

1. Product will be free of defects in materials and workmanship for a period of one year from date of purchase.
2. The axle gear, gear support, pinion gear, axle, and axle bearings have a limited lifetime warranty to be free of defects in materials and workmanship.
3. If the spreader is used for commercial rental the Limited Warranty shall be limited to a period of 90 days.
4. All Unit and part replacement will be performed at the reasonable discretion of The Andersons and EarthWay.
5. Labor charges are not covered and the unit need not be returned to the dealer for warranty service.
6. Proof of purchase must be supplied to The Andersons.
7. For warranty questions, contact EarthWay at 1-800-294-0671.

The Andersons sole obligation under this warranty is limited to repairing or replacing the defective part.

This warranty does not extend to any Product or parts thereof that have been allowed to corrode, subjected to misuse, neglect, accident, or modification by anyone other than The Andersons or that have been affixed to any nonstandard accessory attachment or that have been used, stored, installed, maintained operated in violation of The Andersons instructions or standard industry practice. No agent, employee or representative of The Andersons has any authority to bind The Andersons to any affirmation, representation or warranty concerning the Product and any affirmation, representation or warranty made by any agent, employee or representative shall not be enforceable by Purchaser.

THIS WARRANTY EXTENDS ONLY TO THE ORIGINAL PURCHASER AND IS EXPRESSLY IN LIEU OF ANY OTHER EXPRESS OR IMPLIED WARRANTIES, INCLUDING WITHOUT LIMITATION ANY IMPLIED WARRANTY OR MERCHANTABILITY OR FITNESS OR INTENDED USE FOR A PARTICULAR PURPOSE AND OF ANY OTHER OBLIGATION ON THE PART OF The Andersons. The Andersons SHALL NOT BE LIABLE FOR ANY INCIDENTAL, SPECIAL OR CONSEQUENTIAL LOSS, DAMAGE OR EXPENSE DIRECTLY OR INDIRECTLY ARISING FROM THE USE OF ANY OF THE PRODUCT INCLUDING, BUT NOT LIMITED TO, DAMAGE OR LOSS OF OTHER PROPERTY OR EQUIPMENT, LOSS OF PROFITS OR REVENUE, COST OF CAPITAL, COST OF PURCHASED OR REPLACEMENT GOODS, OR CLAIMS OF CUSTOMERS OF PURCHASER.



It is our first priority to improve our products' quality
and performance whenever possible.

Your comments and questions are always welcome-

Please call our Helpline: **1-800-225-2639**
(U.S. Only)

Or Visit Our Website At ...

www.andersonspro.com

**The Andersons, Inc.
521 Illinois Ave
Maumee, OH 43537**